

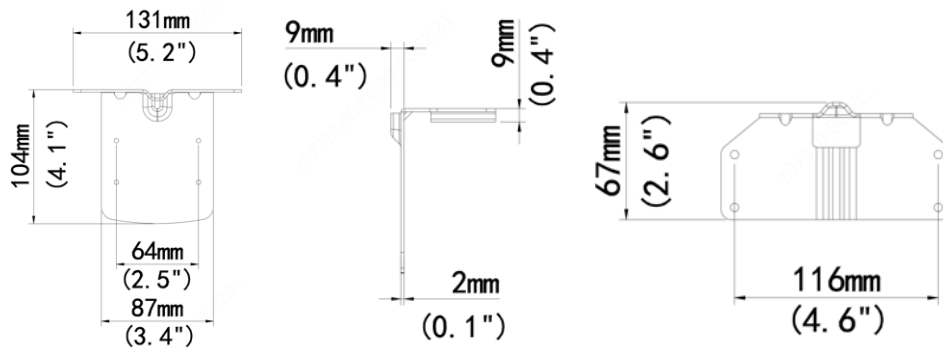
TR-CM06-A Active deterrence series PTZ camera ceiling mount bracket



Specifications

Bracket	TR-CM06-A
Application	Indoor or outdoor
Dimensions	104mm x131mm x67mm (4.1" x5.2"x4.6")
Weight	0.088kg(0.19lb)
Material	Aluminum alloy

DimensionsK



Zhejiang Uniview Technologies Co.,Ltd.

South Tower, Building 10, Wanlun Science Park, 88 Jiangling Road, Hangzhou, P.R.China 310051

Email: overseasbusiness@uniview.com; globalsupport@uniview.com

<http://www.uniview.com>

©2021 Zhejiang Uniview Technologies Co.,Ltd. All rights reserved.

*Product specifications and availability are subject to change without notice.